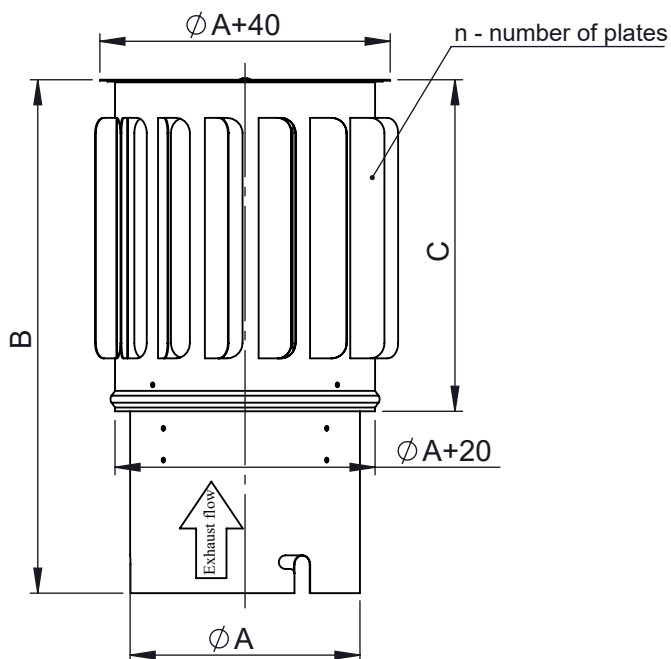
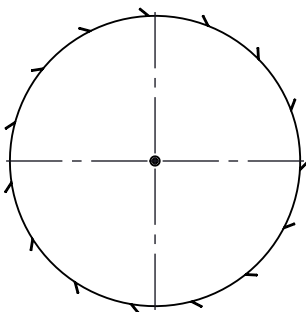


A

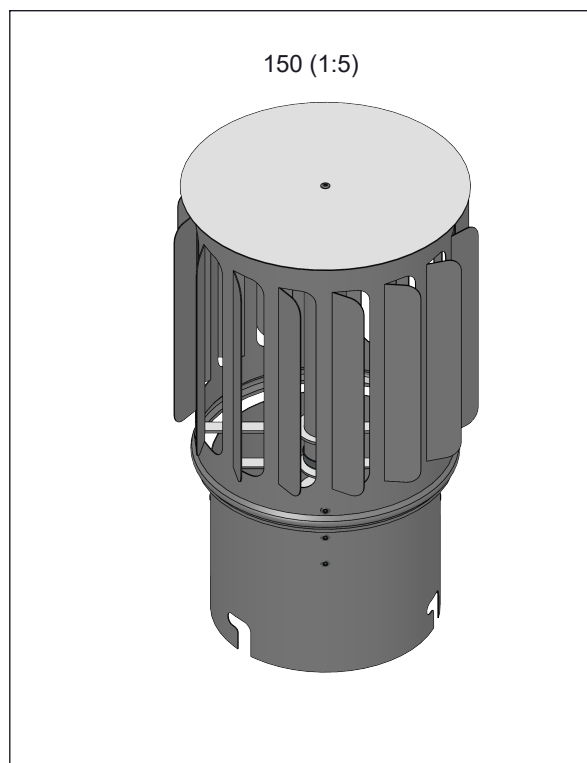


B

C



D



E

Please match correct adapter for your chimney

\varnothing	130	150	160	180	200	250
A	130	150	160	180	200	250
B		340		385	418	
C		218		262	296	
n	14	15	17	18	20	24
kg	1,15	1,29	1,36	1,67	2,11	2,8

notes:

ENCD

DIN ISO 13920 Tolerances B

revisions-no.

02

mm / kg

Jeremias[®]
CHIMNEY SYSTEMS

scale

1:5

format

A4

sheet

1 of 1

F

	date	name
drawn by	12.04.24	PMA
checked by	12.04.24	JAD
approved by	12.04.24	JWY
modified by	12.08.24	PMA

description Bonnet without plate for connection

code 2R2-ZUAC2991-1

drawing-no. 07-04-5148-000

