

A

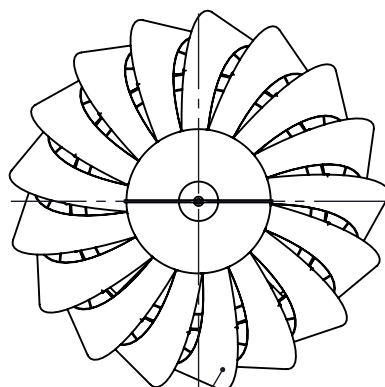
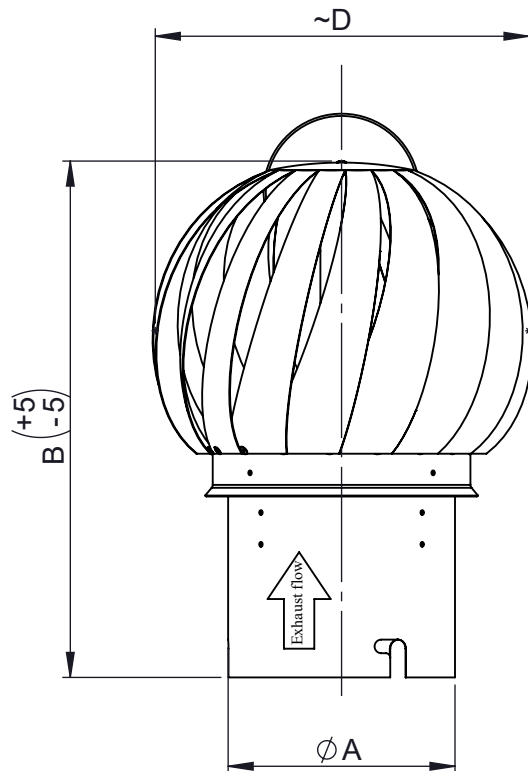
B

C

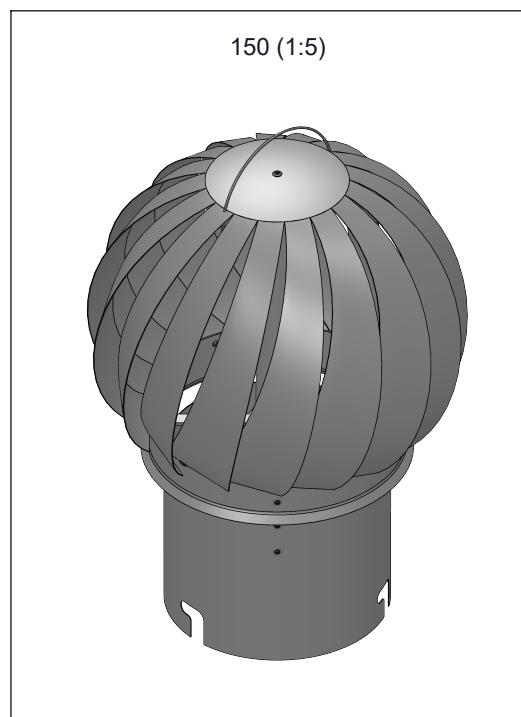
D

E

F



n - number of plates



Please match correct adapter for your chimney

Ø	<b>130</b>	<b>150</b>	<b>160</b>	<b>180</b>	<b>200</b>	<b>250</b>
A	130	150	160	180	200	250
B	300	340	340	360	540	385
D	210	250		300	340	370
n	14	17		18	20	
kg	1,11	1,36	1,38	1,63	1,99	2,15

notes:

ENCD

DIN ISO 13920 Tolerances B

revisions-no.

01

mm / kg

date

name

drawn by

12.04.24

PMA

checked by

12.04.24

JAD

approved by

12.04.24

JWY

modified by

17.07.24

PMA

**Jeremias**<sup>®</sup>  
CHIMNEY SYSTEMS

description **Bonnet without plate for connection for EW-FU system**

code **2R2-ZUAC2990-1**

drawing-no. **07-04-5148-000**

scale

1:20

format

A4

sheet

1 of 1

