

A

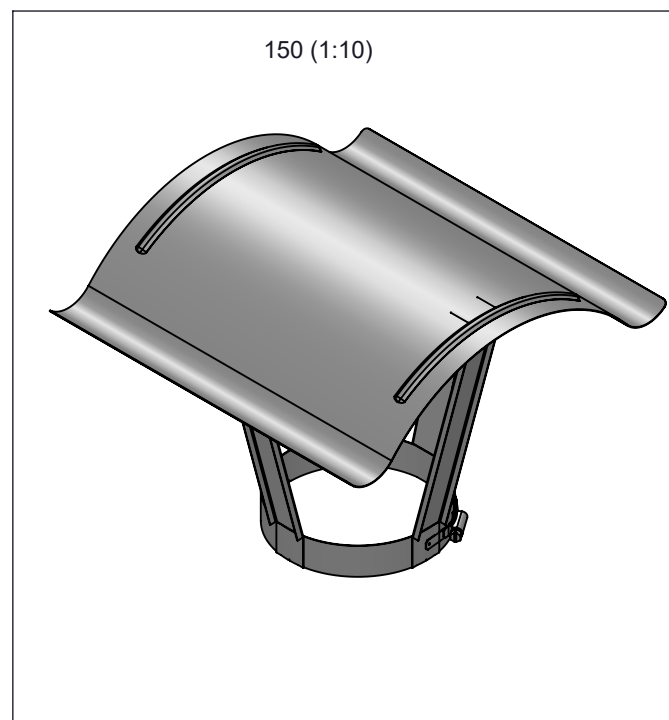
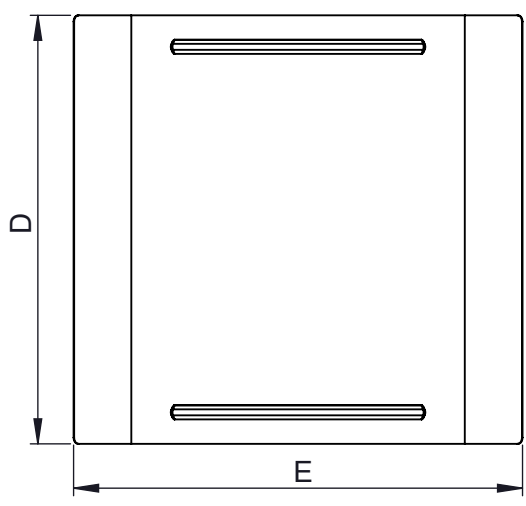
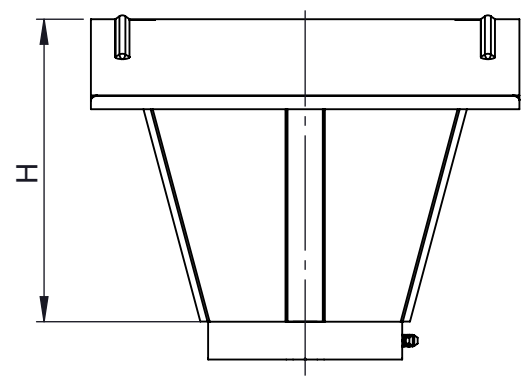
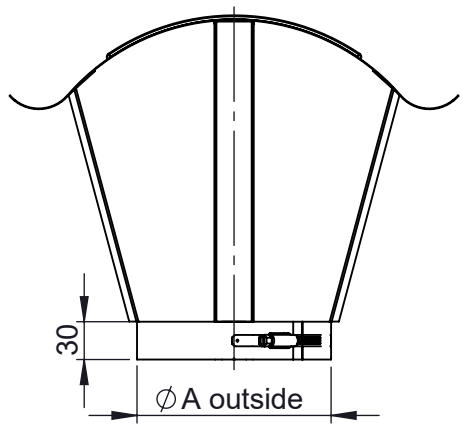
B

C

D

E

F



Ø	130	150	160	180	200	250
A	134	154	164	184	204	254
D	340			360		440
E	360			380		473,5
H	240					280
kg	0,91	0,93	0,93	1,04	1,05	1,51

notes:
ENCD

DIN ISO 13920 Tolerances B		
revisions-no.	mm / kg	
date	name	
drawn by	19.04.24	PMA
checked by	19.04.24	JAD
approved by	19.04.24	JWY
modified by		



description	Bonnet "Napoleon" 400x400mm clamping band
code	FU2966-2
drawing-no.	01-20-5280-000

scale	1:10
format	A4
sheet	1 of 1